

Operating Instructions

HV 205-1 | HV 205-2

Circular Knife Grinding Attachment



HV 205-2

Operating Instructions

Circular Knife Grinding Attachment HV 205-1 | HV 205-2

Manufacturer

KNECHT Maschinenbau GmbH
Witschwender Straße 26
88368 Bergatreute
Germany

Phone +49-7527-928-0
Fax +49-7527-928-32

mail@knecht.eu
www.knecht.eu

Documents for machine operator

Operating Instructions

Date of issue of the operating instructions

August 9, 2022

Copyright

The copyright for these operating instructions as well as other documents for the machine operator is held by KNECHT Maschinenbau GmbH. They are provided only to customers and operators of our products and are included with the machine.

These documents may neither be reproduced, nor made accessible to third parties, in particular rival firms, without our express permission.

Table of Contents

1.	Important notes	7
1.1	Preface to the operating instructions	7
1.2	Warnings and symbols in the operating instructions	7
1.3	Figure and item numbers in the operating instructions	8
2.	Safety	9
2.1	Basic safety instructions	9
2.1.1	Observe notes in the operating instructions	9
2.1.2	Obligation on the part of the operator	9
2.1.3	Obligation on the part of the personnel	9
2.1.4	Hazards involved in handling the circular knife grinding attachment	9
2.1.5	Malfunctions	10
2.2	Intended use	10
2.3	Warranty and liability	10
2.4	Safety regulations	11
2.4.1	Organizational measures	11
2.4.2	Protective equipment	11
2.4.3	Informal safety measures	11
2.4.4	Selection and qualification of personnel	11
2.4.5	Machine control system	12
2.4.6	Safety measures in normal operation	12
2.4.7	Hazards due to electrical power sources	12
2.4.8	Particular hazard areas	12
2.4.9	Servicing (maintenance, repair) and fault rectification	12
2.4.10	Structural alterations to the circular knife grinding attachment	13
2.4.11	Cleaning the circular knife grinding attachment	13
2.4.12	Lubricants/oils and greases	13
2.4.13	Relocation of the grinding machine with circular knife grinding attachment	13
3.	Description	14
3.1	Intended use	14
3.2	Technical specifications	14
3.2.1	Circular knife grinding attachment HV 205-1	14
3.2.2	Circular knife grinding attachment HV 205-2	15
3.3	Functional description	15
3.4	Assembly description	16
3.4.1	Circular knife grinding attachment HV 205-1 for circular knives d. 80–250 mm	16
3.4.2	Circular knife grinding attachment HV 205-2 for circular knives d. 250–470 mm	17
4.	Transport	18
4.1	Transport aids	18

Table of Contents

4.2	Transport damage	18
4.3	Transport to another installation site	18
5.	Installation	19
5.1	Selection of qualified personnel	19
5.2	Installation site	19
5.3	Settings	19
5.4	Initial start-up of the circular knife grinding attachment	19
6.	Commissioning	20
6.1	Mounting the Circular knife grinding attachment HV 205-1 HV 205-2	20
7.	Operation	21
7.1	Grinding circular knives 80–250 mm on the grinding wheel	21
7.1.1	Clamping the circular knife	21
7.1.2	Positioning the circular knife on the grinding wheel	22
7.1.3	Swiveling the circular knife grinding attachment	23
7.1.4	Setting the grinding angle	23
7.1.5	Grinding the circular knife	24
7.1.6	Deburring the circular knife	25
7.2	Grinding circular knives 250–470 mm on the grinding wheel	26
7.2.1	Clamping the circular knife	26
7.2.2	Positioning the circular knife on the grinding wheel	27
7.2.3	Setting the grinding angle	28
7.2.4	Grinding the circular knife	29
7.2.5	Deburring the circular knife	30
8.	Care and maintenance	31
8.1	Cleaning	31
8.1.1	Lubrication table	31
8.2	Maintenance plan (one-shift operation)	31
9.	Disassembly and disposal	32
9.1	Disassembly	32
9.2	Disposal	32

Table of Contents

10.	Service, spare parts and accessories	33
10.1	Postal address	33
10.2	Service	33
10.3	Spare parts	33
10.4	Accessories	34
10.4.1	Abrasives used, etc.	34
11.	Appendix	35
11.1	EU Declaration of Conformity	35

1. Important notes

1.1 Preface to the operating instructions

These operating instructions are intended to make it easy to learn how to use the circular knife grinding attachment and to properly utilize its features.

These operating instructions contain important notes on how to operate the circular knife grinding attachment safely, properly, and efficiently. Your attention helps to avoid hazards, reduce repair costs and downtimes, and to increase the reliability and service life of the circular knife grinding attachment.

The operating instructions must always be stored in the location that the circular knife grinding attachment is used.

The operating instructions must be read and applied by every person tasked with working with the circular knife grinding attachment, e. g.:

- transport, installation, commissioning
- operation, including error rectification during operation, as well as
- servicing (maintenance, repair).

Recognized technical standards for safe and professional work must be observed in addition to these operating instructions and the binding accident prevention regulations applicable in the country of use and at the place of use.

1.2 Warnings and symbols in the operating instructions

The operating instructions use the following symbols/designations that must be followed:



The hazard triangle with the signal word "CAUTION" serves as a work safety notice for all work for which there is a risk of personal injury or death.

In these cases, work should be done with special attention and care.



"ATTENTION" is written in places where special attention must be paid to prevent damage or destruction of the grinding machine or its surroundings.



"NOTICE" refers to user tips and especially useful information.

1. Important notes

1.3 Figure and item numbers in the operating instructions

If the text makes a reference to a machine component depicted in a figure, the figure and item number will be given in parentheses.

Example: (7-13/1) means figure number 7-13, item 1.



Figure 7-13 Circular knife grinding attachment HV 205-2

Mount the HV 205-2 circular knife grinding attachment according to the instructions (see chapter 6).

Unscrew grinding lever SH 104 (7-13/1).

2. Safety

2.1 Basic safety instructions

2.1.1 Observe notes in the operating instructions

The basic prerequisite for safe handling and uninterrupted operation of this circular knife grinding attachment is knowledge of the basic safety instructions and regulations.

- These operating instructions contain important notes on how to operate the circular knife grinding attachment safely.
- All persons carrying out work on the circular knife grinding attachment must follow these operating instructions, in particular the safety notices.
- In addition, the rules and regulations regarding accident prevention at the place of use are to be observed.

2.1.2 Obligation on the part of the operator

The operator is obliged to allow only those persons to work on the circular knife grinding attachment, who

- are familiar with the basic occupational safety and accident prevention regulations and have received instruction in handling the circular knife grinding attachment,
- have read and understood the operating instructions, in particular the section entitled "Safety" and the warning notes, and have provided signed confirmation of this.

The safety-awareness of the personnel at work will be monitored at regular intervals.

2.1.3 Obligation on the part of the personnel

All personnel working on the circular knife grinding attachment shall be obliged, before starting work, to

- observe basic occupational safety and accident prevention regulations,
- read the operating instructions, particularly the section entitled "Safety" and the warning notes, and provide signed confirmation that they have understood them.

2.1.4 Hazards involved in handling the circular knife grinding attachment

The circular knife grinding attachment has been built to the latest technological standards and the recognized rules of technical safety. In spite of this, its use poses inherent risks which could result in bodily harm or even death of the user or third persons, or damage to the circular knife grinding attachment or other property.

The circular knife grinding attachment may only be used

- for its intended purpose, and

2. Safety

- in faultless condition with regard to safety-related aspects.

Malfunctions that may impair safety are to be eliminated immediately.

2.1.5 Malfunctions

If safety-relevant malfunctions occur with the circular knife grinding attachment, or if the processing behavior indicates that such malfunctions may have occurred, the circular knife grinding attachment must be stopped immediately and until such time as the malfunction has been found and eliminated.

Allow only authorized trained personnel to eliminate the malfunctions.

2.2 Intended use

The circular knife grinding attachment is only for grinding circular knives from 80-250 mm (HV 205-1) and 250-470 mm (HV 205-2). It is meant to be installed onto KNECHT grinding machines of the S 200 series only.

All circular knives must be clamped onto corresponding holding fixtures. First, check whether the holding fixture matches the knife to be ground. The knife can only be ground if this is the case.

Any other use is considered to be improper. KNECHT Maschinenbau GmbH is not liable for any damage arising from this. The user alone bears this risk.

Use as intended includes the observance of all the notes in the operating instructions.

ATTENTION

The circular knife grinding attachment is being used improperly if, for example

- **it is installed onto grinding machines other than the KNECHT S 200 series,**
- **the circular knife has been clamped incorrectly,**
- **fixtures are not properly attached.**

2.3 Warranty and liability

Warranty and liability claims in case of personal injury or property damage are excluded if such damage is attributable to one or more of the following causes:

- improper use of the circular knife grinding attachment,
- improper transport, commissioning, operation, and maintenance of the circular knife grinding attachment,

2. Safety

- operating the circular knife grinding attachment with defective safety devices, or using improperly attached or malfunctioning safety and protective equipment,
- failure to observe the instructions with regard to transportation, commissioning, operation, maintenance and repair of the circular knife grinding attachment,
- unauthorized structural alterations to the circular knife grinding attachment,
- failure to monitor machine parts that are subject to wear, and
- use of unapproved replacement and wear parts.

Use only original replacement and wear parts. When using external parts, it cannot be guaranteed that they are constructed and manufactured to be suitable and safe.

2.4 Safety regulations

2.4.1 Organizational measures

Inspect all available safety devices regularly.

Observe prescribed intervals for recurring maintenance work or as specified in the operating instructions!

2.4.2 Protective equipment

Before commissioning the circular knife grinding attachment, always ensure that all protective equipment is properly mounted and in functional condition.

Protective equipment may be removed only after the circular knife grinding attachment has stopped and has been secured against accidental restart.

When delivering spare parts, the protective equipment must be attached by the operator as stipulated.

2.4.3 Informal safety measures

The operating instructions must be permanently available at the place of use of the circular knife grinding attachment. In addition to the operating instructions, the generally applicable as well as locally relevant accident prevention regulations must also be made available and observed.

All safety and hazard warnings on the circular knife grinding attachment must be complete and clearly legible.

2.4.4 Selection and qualification of personnel

Only trained and instructed personnel may work on the circular knife grinding attachment. Observe the legally permitted minimum age!

2. Safety

The responsibilities of personnel with respect to commissioning, operation, maintenance, and repair must be clearly specified.

Personnel still undergoing training or instruction may only work on the circular knife grinding attachment under the permanent supervision of an experienced person!

2.4.5 Machine control system

Only trained and instructed personnel are allowed to turn on and operate the machine.

2.4.6 Safety measures in normal operation

Do not operate the machine in any unsafe manner. Only operate the circular knife grinding attachment if all safety devices are installed and fully functional.

At least once per shift (or per day), check the circular knife grinding attachment for externally visible damage and proper functioning of the safety devices.

Immediately report any changes present (including those of the operating behavior) to the responsible office or person. If necessary, immediately shut down the circular knife grinding attachment and secure it against restart.

Before you switch on the grinding machine, ensure that no one can be injured by the start-up of the machine.

In the event of a malfunction, immediately stop the grinding machine and secure it against restart. Rectify malfunctions immediately.

2.4.7 Hazards due to electrical power sources

Work on electrical systems or operating materials may only be performed by a qualified electrician, in accordance with electrical regulations.

Defects, such as damaged cables, cable connections, etc. must be immediately rectified by an authorized specialist.

2.4.8 Particular hazard areas

In the area of the grinding wheel, wet-grinding belt and finned brush, there is a hazard of pinching and being drawn in, e.g. clothing, fingers and hair. Wear suitable personal protective equipment.

2.4.9 Servicing (maintenance, repair) and fault rectification

Maintenance work is to be carried out on schedule by trained personnel. Inform operating personnel before beginning repair work. Designate a supervisor responsible for this.

2. Safety

For all service work, the grinding machine is to be disconnected from the current supply and secured against accidental restart.

Remove power plug. Cordon off the repair area as far as it is required.

After completing maintenance work and rectifying any faults, install all safety devices and verify that they are fully functional.

2.4.10 Structural alterations to the circular knife grinding attachment

Modifications, retrofitting or rebuilds of the circular knife grinding attachment are not allowed without the permission of the manufacturer. This also applies for installation and configuration of the safety devices.

Any conversion work requires the written permission from KNECHT Maschinenbau GmbH.

Immediately replace any machine parts that are not in a serviceable state.

Use only original replacement and wear parts. When using external parts, it cannot be guaranteed that they are constructed and manufactured to be suitable and safe.

2.4.11 Cleaning the circular knife grinding attachment

Properly handle any cleaning agents and materials used and dispose of them in an environmentally-friendly manner.

Dispose of the wear parts and replacement parts in a safe and environmentally-friendly manner.

2.4.12 Lubricants/oils and greases

When using oils and greases, follow the safety regulations applicable to the product. Comply with the special regulations for the foodstuffs sector.

2.4.13 Relocation of the grinding machine with circular knife grinding attachment

Disconnect the grinding machine with the circular knife grinding attachment from any external power supply, even in the event of a minor change of location. Before restarting the grinding machine, connect it properly to the power supply.

For loading work, use only lifting equipment and load-bearing devices with sufficient lifting capacity. Appoint a qualified instructor for the lifting operation.

No persons other than those designated for this work may be present in the loading and installation area.

Use only a suitable transport vehicle with sufficient carrying capacity. Secure loads safely. See also chapter 4 of the operating instructions for the S 200 Universal Wet-Sharpening Machine. When restarting the machine, proceed only in accordance with the operating instructions.

3. Description

3.1 Intended use

Circular knives are ground with the HV 205-1 and HV 205-2 circular knife grinding attachment. The attachments are only used on KNECHT grinding machines of the S 200 model series.

3.2 Technical specifications

3.2.1 Circular knife grinding attachment HV 205-1

Height _____ approx. 250 mm

Width _____ approx. 540 mm

Depth _____ approx. 400 mm

Weight _____ approx. 3,8 kg

Grinding range _____ circular knives d. 80–250 mm

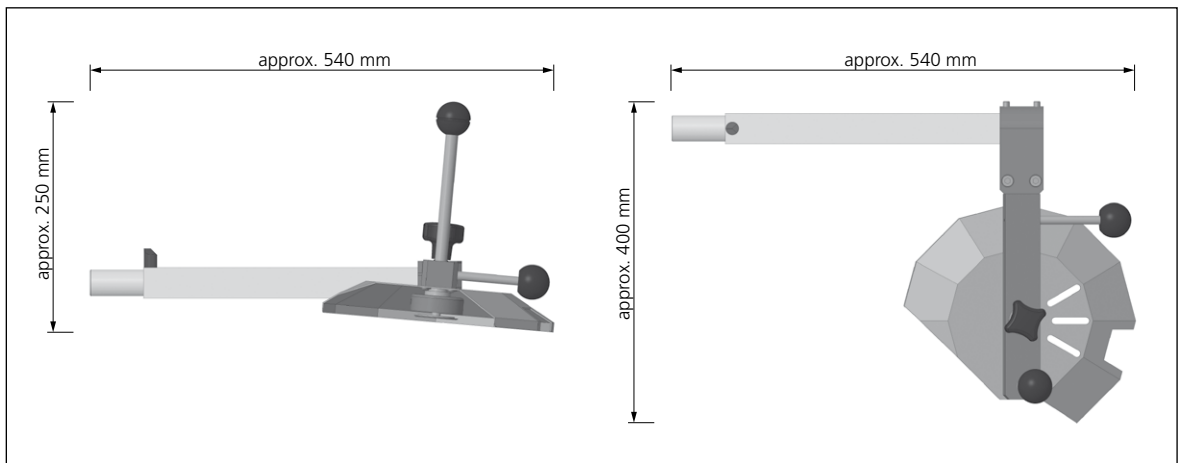


Figure 3-1 Dimensions in mm (HV 205-1 front view/top view)

3. Description

3.2.2 Circular knife grinding attachment HV 205-2

Height _____ approx. 370 mm

Width _____ approx. 660 mm

Depth _____ approx. 500 mm

Weight _____ 7 kg

Grinding range _____ circular knives d. 250–470 mm

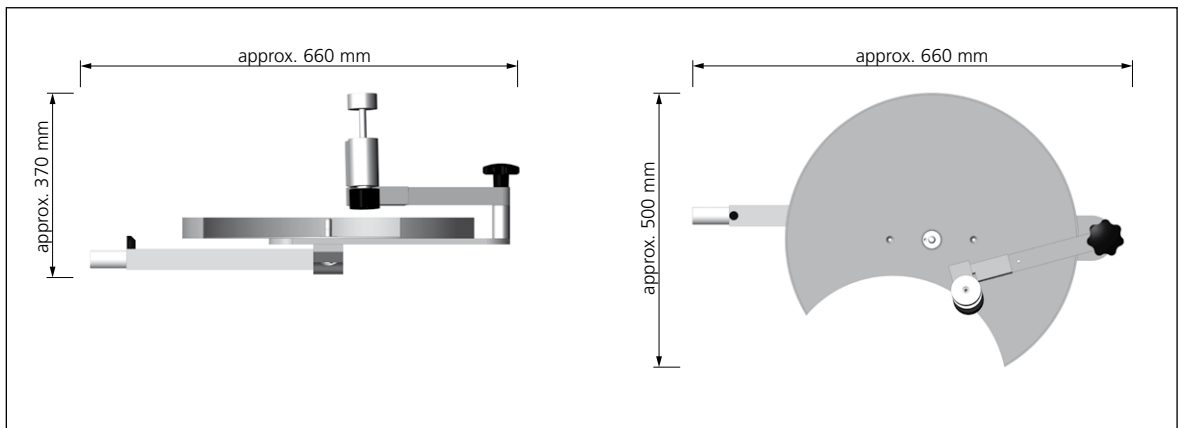


Figure 3-2 Dimensions in mm (HV 205-2 front view/top view)

3.3 Functional description

To grind circular knives (80–250 mm), the HV 205-1 circular knife grinding attachment is mounted on the S 200 grinding machine.

To grind circular knives (250–470 mm), the HV 205-2 circular knife grinding attachment is mounted on the S 200 grinding machine.

Circular knife grinding attachments can be used to grind precise angles with simple operation and minimal effort. Circular knives with chipping on the cutting edge can be repaired here without any problems.

3. Description

3.4 Assembly description

3.4.1 Circular knife grinding attachment HV 205-1 for circular knives d. 80–250 mm



Figure 3-3 Circular knife grinding attachment HV 205-1

- 1 Hand wheel to set grinding angle
- 2 Grinding lever
- 3 Circular knife, 90 mm
- 4 Circular knife holding fixture
- 5 Grinding wheel with guard

3. Description

3.4.2 Circular knife grinding attachment HV 205-2 for circular knives d. 250–470 mm



Figure 3-4 Circular knife grinding attachment HV 205-2

- 1 Hand wheel to set grinding angle
- 2 Blade guard
- 3 Circular knife, 430 mm
- 4 Grinding lever SH 104
- 5 Deburring unit

4. Transport



When transporting, observe the local applicable safety and accident prevention regulations.

4.1 Transport aids

To transport the circular knife grinding attachment, use only adequately dimensioned transportaids.

4.2 Transport damage

If damage is detected after unloading and/or when accepting delivery, notify KNECHT Maschinenbau GmbH and the forwarding agent immediately. Promptly refer to an independent specialist as needed.

Remove the packaging and shipping straps. Dispose of packaging in an environment-friendly manner.

4.3 Transport to another installation site

For transport to another installation site, ensure that the space requirements are fulfilled (see chapter 3.2.1 and 3.2.2).

The circular knife grinding attachment must be secured properly during transport.

5. Installation

5.1 Selection of qualified personnel



We recommend having installation work on the circular knife grinding attachment carried out by trained KNECHT personnel.

We are not liable for any damage resulting from improper installation.

5.2 Installation site

When determining the installation site, bear in mind the space required for installation as well as maintenance and repair work on the circular knife grinding attachment (see chapter 3.2.1 and 3.2.2).

5.3 Settings

KNECHT Maschinenbau GmbH will configure the various components before delivery.

ATTENTION

Unauthorized changes to the preset values are not permitted and can damage the circular knife grinding attachment and grinding machine.

5.4 Initial start-up of the circular knife grinding attachment

Completely install and inspect the protective equipment before commissioning.

The circular knife grinding attachment is only suitable for attachment to KNECHT grinding machines of the S 200 model series.



Have all protective equipment checked for proper functioning by authorized trained personnel before commissioning the machine.

6. Commissioning



All work must be performed by authorized trained personnel.

Observe the locally applicable safety and accident prevention regulations.

There is a risk that hands, hair, and clothing may be pulled in while the grinding machine is switched on.

Serious injury may result. Wear personal protective equipment.

6.1 Mounting the Circular knife grinding attachment HV 205-1 | HV 205-2



Figure 6-1 Removing the swivel arm

Use an hexagon screwdriver, width across flats 6 mm, to loosen the M 10 countersunk screw (6-1/1) counterclockwise.

Pull off the swivel arm, mounted as standard, from the side of the grinding machine.



Figure 6-2 Mounting the circular knife grinding attachment HV 205-1 | HV 205-2

From the right, insert the circular knife grinding attachment (6-2/1) onto the grinding attachment and secure it with the M 10 countersunk screw (6-1/1).

7. Operation

7.1 Grinding circular knives 80–250 mm on the grinding wheel



Figure 7-1 HV 205-1 circular knife grinding attachment

Mount the HV 205-1 circular knife grinding attachment according to the instructions (see chapter 6).

7.1.1 Clamping the circular knife



Figure 7-2 Placing the circular knife onto the appropriate knife holding fixture

Place the circular knife (7-2/1) onto the appropriate knife holding fixture (7-2/2).



Figure 7-3 Clamping the circular knife

Swivel the circular knife grinding attachment backwards.

Insert the knife holding fixture (7-3/1) with the circular knife into the circular knife grinding attachment (7-3/2), hold it, then secure with the star handle (7-3/3).

7. Operation



Figure 7-4 Securing the circular knife

To do so, hold the knife holding fixture with the locking pin (7-4/1) and tighten the star handle (7-4/2) by rotating clockwise.

7.1.2 Positioning the circular knife on the grinding wheel



Figure 7-5 Positioning the circular knife on the grinding wheel

The cutting edge of the circular knife (7-5/1) must be approx. 15 mm in front of the center of the grinding wheel.



Figure 7-6 Adjusting the circular knife grinding attachment

To do this, loosen the lower clamping lever (7-6/1) by rotating counterclockwise and move the entire grinding attachment (7-6/2) until the cutting edge of the circular knife is approx. 15 mm in front of the center of the grinding wheel (see figure 7-5).

Retighten the lower clamping lever (7-6/1).

7. Operation

7.1.3 Swiveling the circular knife grinding attachment

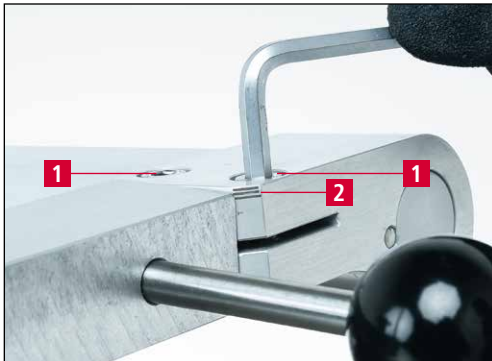


Figure 7-7 Swiveling the circular knife grinding attachment

Loosen the two terminal screws (7-7/1) on the mounting head by turning counterclockwise with a hexagon screwdriver, width across flats 6 mm.

Swivel the mounting arm clockwise until its edge is at the center marking (7-7/2) of the mounting head.

7.1.4 Setting the grinding angle



Figure 7-8 Loosening the clamping lever

Place the knife on the grinding wheel to adjust the grinding angle.

Loosen the upper clamping lever (7-8/1) by turning it counterclockwise.

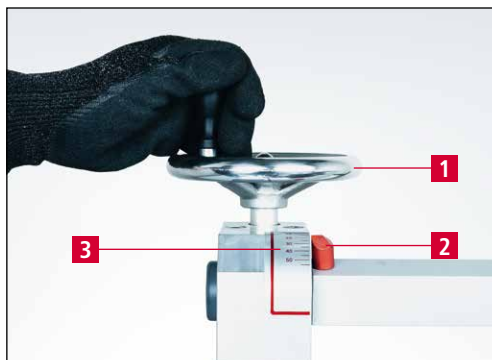


Figure 7-9 Setting the grinding angle

Turn the hand wheel (7-9/1) until the pointer (7-9/2) shows the desired angle on the angle scale (7-9/3).

Retighten the upper clamping lever (7-8/1).

7. Operation

7.1.5 Grinding the circular knife



Grinding creates abrasive particles that can enter the eyes.

Wear safety glasses.



Figure 7-10 Switching on the grinding machine and coolant unit

Switch on the grinding machine (7-10/1) and coolant unit (7-10/2).

ATTENTION

The circular knife must rotate counterclockwise. Note the direction of rotation arrow on the blade guard.



Figure 7-11 Grinding the circular knife

Press the circular knife with grinding lever (7-11/1) onto the grinding wheel with moderate force. The knife rotates slowly counterclockwise.

Grind until there is a small burr on the cutting edge (7-11/2).

7. Operation

7.1.6 Deburring the circular knife



Deburring creates abrasive particles that can enter the eyes.

Wear safety glasses.



Figure 7-12 Deburring circular knives

Reduce the grinding pressure almost completely.

Hold the silicon carbide dressing stone (7-12/1) flat against the rotating circular knife (7-12/2).

Under water cooling, the burr is removed in a few revolutions of the knife.

7. Operation

7.2 Grinding circular knives 250–470 mm on the grinding wheel



Figure 7-13 HV 205-2 circular knife grinding attachment

Mount the HV 205-2 circular knife grinding attachment according to the instructions (see chapter 6).

Unscrew the SH 104 grinding lever (7-13/1).

7.2.1 Clamping the circular knife

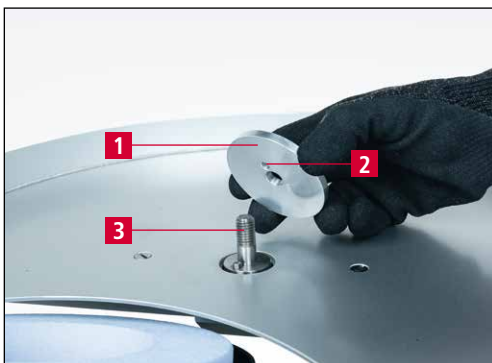


Figure 7-14 Holding flange, 70 mm

Place the 70 mm holding flange (7-14/1) with the driver bore (7-14/2) downwards onto the locating bolt (7-14/3).



Figure 7-15 Placing the centering disk on the locating bolt

Place the centering disk (7-15/1) corresponding to the knife bore on the locating bolt.

7. Operation



Figure 7-16 Placing on the circular knife

Place on the circular knife (7-16/1).

Place the 70 mm clamping flange (7-16/2) onto the circular knife.



Figure 7-17 Clamping the circular knife

Clamp the knife with the SH 104 grinding lever (7-17/1).

7.2.2 Positioning the circular knife on the grinding wheel



Figure 7-18 Positioning the circular knife on the grinding wheel

The cutting edge of the circular knife (7-18/1) should be approx. 15 mm in front of the center of the grinding wheel.

7. Operation



Figure 7-19 Adjusting the circular knife grinding attachment

To do this, loosen the lower clamping lever (7-19/1) by rotating counterclockwise and move the complete grinding unit until the cutting edge of the circular knife is approx. 15 mm in front of the center of the grinding wheel (see figure 7-18).

Retighten the lower clamping lever (7-19/1).

7.2.3 Setting the grinding angle

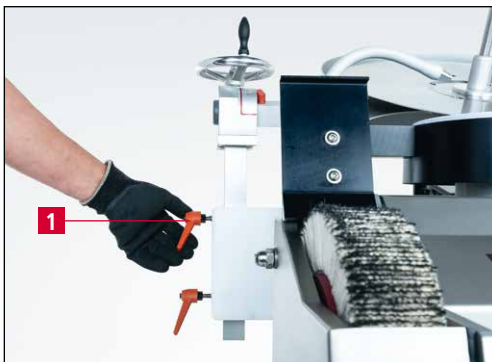


Figure 7-20 Loosening the clamping lever

Place the knife on the grinding wheel to adjust the grinding angle.

Loosen the upper clamping lever (7-20/1) by turning it counterclockwise.

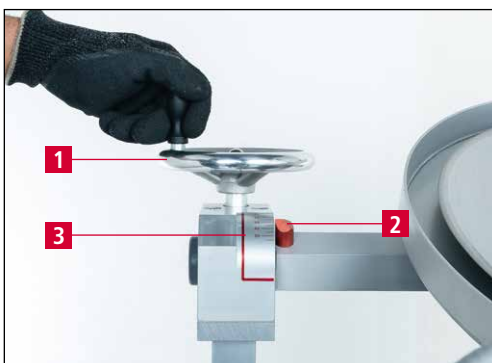


Figure 7-21 Setting the grinding angle

Turn the hand wheel (7-21/1) until the pointer (7-21/2) shows the desired angle on the angle scale (7-21/3).

Retighten the upper clamping lever (7-20/1).

7. Operation

7.2.4 Grinding the circular knife



Grinding creates abrasive particles that can enter the eyes.

Wear safety glasses.



Figure 7-22 Switching on the grinding machine and coolant unit

Switch on the grinding machine (7-22/1) and coolant unit (7-22/2).

ATTENTION

The circular knife must rotate counterclockwise. Note the direction of rotation arrow on the blade guard.



Figure 7-23 Grinding the circular knife

Press the circular knife with grinding lever (7-23/1) onto the grinding wheel with moderate force. The knife rotates slowly counterclockwise.

Grind until there is a small burr on the cutting edge (7-23/2).

7. Operation

7.2.5 Deburring the circular knife



Deburring creates abrasive particles that can enter the eyes.

Wear safety glasses.



Figure 7-24 Deburring the circular knife

Reduce the grinding pressure almost completely.

Swivel the deburring arm (7-24/1) over the cutting edge of the circular knife.

The deburring wheel (7-24/2) should rest approx. 15 mm off-center on the cutting edge of the circular knife.

The deburring wheel rotates slowly over the rotating circular knife. Under water cooling, the burr is removed in a few knife revolutions.



Figure 7-25 Swiveling the deburring arm

If necessary, and after consultation with KNECHT, the deburring disk can be swiveled.

To do this, use an SW 10 open-end wrench to loosen the hexagon head screw (7-25/1) counter-clockwise.

Swivel the deburring arm to the desired position.

Retighten the hexagon head screw (7-25/1).

8. Care and maintenance



For all work on the grinding machine, observe the locally applicable safety and accident prevention regulations as well as instructions in the "Safety" and "Important notes" section of the operating instructions.

8.1 Cleaning

The circular knife grinding attachment must be cleaned after each grinding operation, otherwise the grinding sludge dries and is difficult to remove.

After cleaning the circular knife grinding attachment, we recommend the products listed in the lubricant table for care (chapter 8.1.1).

8.1.1 Lubrication table

Lubrication work	Interflon	Würth	SHELL	EXXON Mobil
Cleaning and care of machine parts	Dry clean stainless steel	Stainless steel care spray	Risella 917	Marcol 82
Lubricating threads and sliding surfaces	Fin Grease	Multi-purpose grease	Gadus S2	Ronex MP

8.2 Maintenance plan (one-shift operation)

Interval	Assembly	Maintenance task
Daily	All surfaces	Clean with a soft cloth and care spray.
Weekly	Star handle threads	Lubricate with multi-purpose grease.
	Guideways	Clean and lubricate with multi-purpose grease.
Annually		Contact the service department of KNECHT Maschinenbau GmbH.

9. Disassembly and disposal

9.1 Disassembly

All operating materials must be disposed of properly.

Secure moving parts against slippage.

Disassembly must be conducted by a qualified specialist.

9.2 Disposal

After the machine has reached the end of its service life, it must be disposed of by a qualified specialist. The circular knife grinding attachment may be returned in exceptional situations and following consultation with KNECHT Maschinenbau GmbH.

Operating materials (e.g. grinding disks, grinding belts, finned brushes, etc.) must be disposed of correctly.

10. Service, spare parts and accessories

10.1 Postal address

KNECHT Maschinenbau GmbH
Witschwender Straße 26
88368 Bergatreute
Germany

Phone +49-7527-928-0
Fax +49-7527-928-32

mail@knecht.eu
www.knecht.eu

10.2 Service

Service line:

For address, see postal address

service@knecht.eu

10.3 Spare parts

If you need spare parts, please use the spare parts list provided with the machine. Please place your order using the format described below.

When ordering, please always provide: (example)

Machine type	(HV 205-2)
Assembly designation	(locating bolt)
Item number	(10)
Drawing number (article number)	(2000075-2421)
Quantity	(1 pc.)

We are always happy to answer any questions.

10. Service, spare parts and accessories

10.4 Accessories

10.4.1 Abrasives used, etc.

Designation	Dimensions	Article number	Note
Cup wheel (deburring wheel)	50x32x13/40x24 K 120 Si	412B-27-0000	Included in delivery
Silicon carbide dressing stone with handle	35/25x16x225 mm	412P-01-0499	Included in delivery

ATTENTION

Only original abrasives of KNECHT Maschinenbau GmbH can be used.

KNECHT Maschinenbau GmbH is not liable in the event that other abrasives are used.

If you require abrasives or other accessories, please contact our sales staff and distributors, or KNECHT Maschinenbau GmbH directly.

Thank you for choosing KNECHT!

11. Appendix

11.1 EU Declaration of Conformity in accordance with Directive 2006/42/EC

- Machinery Directive 2006/42/EC
- Electromagnetic Compatibility Directive 2014/30/EC

We hereby declare that the machine designated as follows, due to its construction and design, as well as the version we introduced on the market, complies with the relevant basic safety and health requirements of the applicable EU Directive.

If the machine is modified in a manner that we haven't approved, this declaration shall no longer be valid.

Designation of machine:	Circular Knife Grinding Attachment
Type designation:	HV 205-1 HV 205-2
Applicable conforming standards, in particular:	DIN EN 12100-1 DIN EN 12100-2 DIN EN 60204-1 ISO 13857 DIN EN 349
Responsible for documentation:	Peter Heine (B. Eng. Mechanical Engineering BA) Phone +49-7527-928-15 p.heine@knecht.eu
Manufacturer:	KNECHT Maschinenbau GmbH Witschwender Straße 26 88368 Bergatreute Germany

Technical documentation is available and complete. The operating instructions document for the machine is available in its original version and in the native language of the user.

The validity of the declaration expires in the event of changes to legislation.

Bergatreute, May 18, 2021

KNECHT Maschinenbau GmbH



Manfred Knecht
Managing Director



Markus Knecht
Managing Director

KNECHT Maschinenbau GmbH

Witschwender Straße 26 · 88368 Bergatreute · Germany · T +49-7527-928-0 · F +49-7527-928-32
mail@knecht.eu · www.knecht.eu